



art metal

F.P.H. Art Metal Sp.j.

Ul. Jabłoniowa 124, 83-331 Łapino Kartuskie, Poland

Tel. 0048 58 681 80 78, Fax: 0048 58 681 80 64

www.art-metal.pl e-mail: biuro@art-metal.pl

27 SYNCHRO II LED

Construction:

The unit consists of a body (1) closed on the top with a bonnet (2) with hinge. Tools are not necessary, to open a luminary unfasten buckles (9).

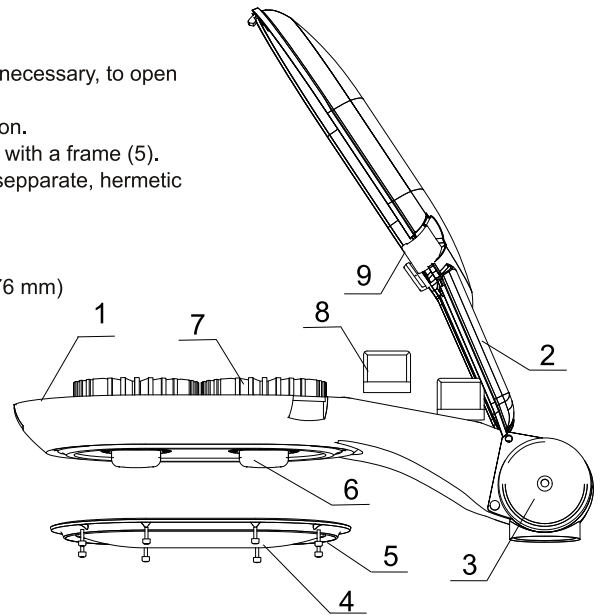
The body is mounted to the pole with adjustable joint (3) which enables to regulate its position.

Optical part of the luminary with LED modules and lenses (6) is tightly closed by shade (4) with a frame (5).

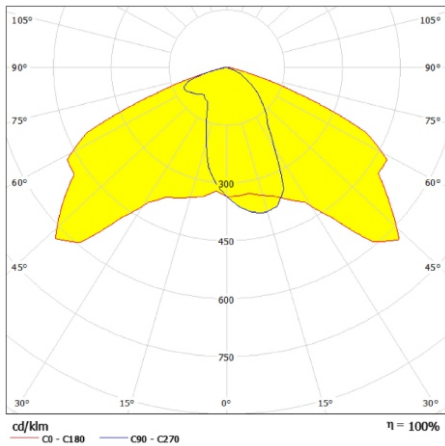
The radiators (7) are fixed to the body in its ventilated part. Power supply (8) is placed in a separate, hermetic compartment. The tightness of the luminary ensure the seals (10).

Mounting instructions:

- Lead the cable through the joint and place a luminary on the pole or arm (diameter $\varnothing 60\text{-}\varnothing 76\text{ mm}$)
- Tighten the screws and stabilize luminary in a proper position
- Make electrical connections in accordance with the markings. Tighten the cable glands.
- Close the bonnet (2), fasten to the body (1) with buckles (9).
- Angle of the luminary is regulated with a scale on the joint. Tighten the screws to block it on the correct position.



TECHNICAL DATA:

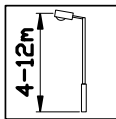


Power: ~230/50Hz

Protective class: I

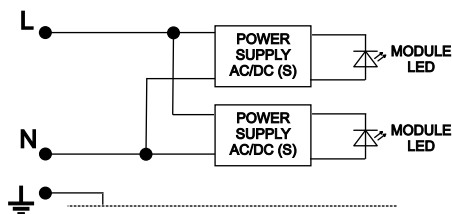
IP66 -electrical part

IP66 -optical part

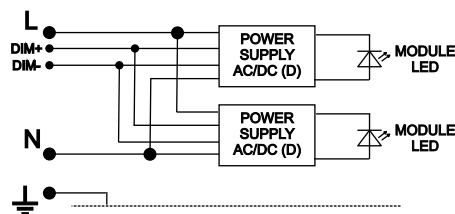


Photometry (polar plot)

ELECTRICAL DIAGRAMS:



1. Module LED -basic power supply (S)



2. Module LED -dimnable power supply (D)

Type	Light-prod. element	Luminous flux [lm]		Weight [kg]	Pn [W]	Luminary dimensions
		3000K (830)	4000K (840)			
27L-66W	CMA2550	8572	9218	12,4	66	
27L-76W	CMA2550	9684	10414	12,4	76	
27L-100W	CMA2550	12262	13186	12,4	100	
27L-116W	CMA2550	13792	14830	12,4	116	

WARNING !! The weight of the unit may slightly differ for individual production batches.

