



art metal

27 SYNCHRO LED

F.P.H. Art Metal Sp.j.

Ul. Jabłoniowa 124, 83-331 Łapino Kartuskie, Poland
 Tel. 0048 58 681 80 78, Fax: 0048 58 681 80 64
 www.art-metal.pl e-mail: biuro@art-metal.pl

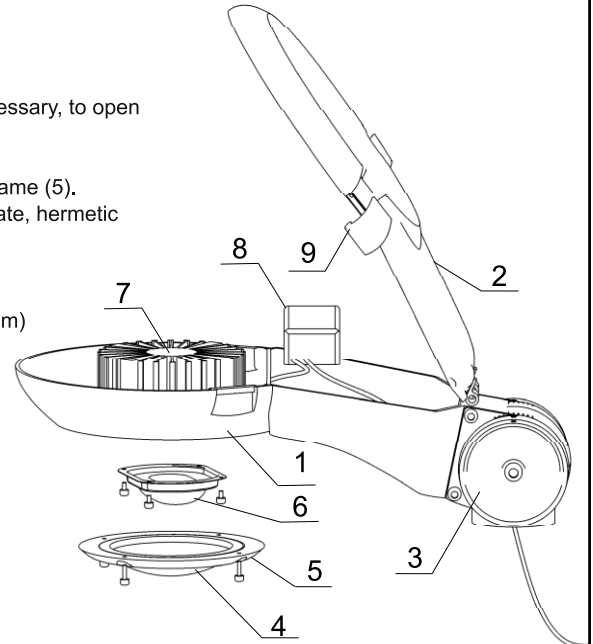
Construction:

The unit consists of a body (1) closed on the top with a bonnet (2) with hinge. Tools are not necessary, to open a luminary unfasten buckles (9).

The body is mounted to the pole with adjustable joint (3) which enables to regulate its position.

Optical part of the luminary with LED module and lens (6) is tightly closed by shade (4) with a frame (5).

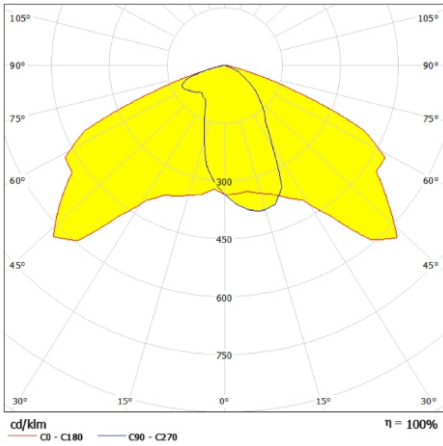
The radiator (7) is fixed to the body in its ventilated part. Power supply (8) is placed in a separate, hermetic compartment. The tightness of the luminary ensure the seals (10).



Mounting instructions:

- Lead the cable through the joint and place a luminary on the pole or arm (diameter $\varnothing 60\text{-}\varnothing 76\text{ mm}$)
- Tighten the screws and stabilize luminary in a proper position
- Make electrical connections in accordance with the markings. Tighten the cable glands.
- Close the bonnet (2), fasten to the body (1) with buckles (9).
- Angle of the luminary is regulated with a scale on the joint. Tighten the screws to block it on the correct position.

TECHNICAL DATA:



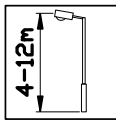
Photometry (polar plot)

Power: ~230/50Hz

Protective class: I

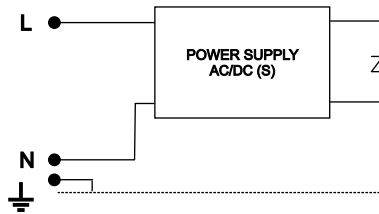
IP66 -electrical part

IP66 -optical part

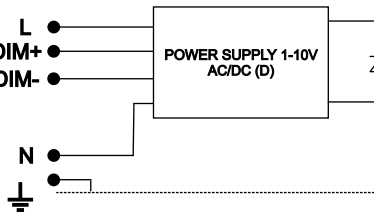


OTHERS

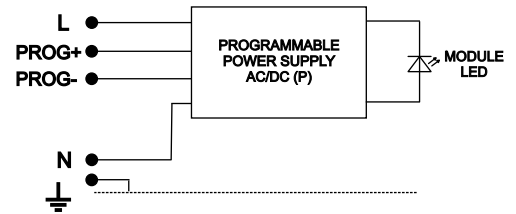
ELECTRICAL DIAGRAMS:



1. Module LED -basic power supply (S)



2. Module LED -dimnable power supply (D)



3. Module LED -programmable power supply (P)

Type	Light-prod. element	Luminous flux [lm]		Weight [kg]	Pn [W]	Luminary dimensions
		3000K (830)	4000K (840)			
27L-22W	CXB2540	2990	3170	7,6	22	
27L-33W	CMA2550	4286	4609	7,6	33	
27L-38W	CMA2550	4842	5207	7,6	38	
27L-50W	CMA2550	6131	6593	7,6	50	
27L-58W	CMA2550	6896	7415	7,6	58	

WARNING !! The weight of the unit may slightly differ for individual production batches.

